

### 3CCD CAMERA HEAD

# JK-TU63H

#### WARNING

This is Class A of EN55022 product. In a domestic environment this product may cause radio interference in which case the user may be required to take adequate measures.

#### INFORMATION

This equipment has been tested and found to comply with the limits for a Class A digital device, pursuant to Part 15 of the FCC Rules. These limits are designed to provide reasonable protection against harmful interference when the equipment is operated in a commercial environment. This equipment generates, uses, and can radiate radio frequency energy and, if not installed and used in accordance with the instruction manual, may cause harmful interference to radio communications. Operation of this equipment in a residential area is likely to cause harmful interference in which case the user will be required to correct the interference at his own expense.

**USER-INSTALLER CAUTION:** Your authority to operate this FCC verified equipment could be voided if you make changes or modifications not expressly approved by the party responsible for compliance to Part 15 of the FCC Rules.

This Class A digital apparatus complies with Canadian ICES-003.

Cet appareil numérique de la classe A est conforme à la norme NMB-003 du Canada.

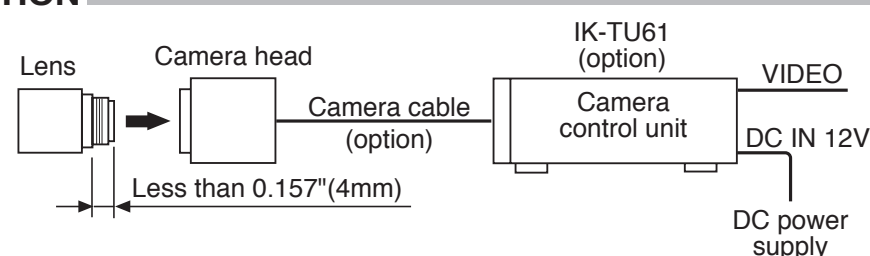
#### CAUTIONS ON USE

- Please use this apparatus by connecting only with camera control unit IK-TU61.
- Read the "CAUTIONS ON USE AND INSTALLATION" in the instruction manual of IK-TU61, and follow them.
- Please use this apparatus connecting only with camera control unit IK-TU61.
- Carefully handle the units.  
Do not drop, or give a strong shock or vibration to the camera. This may cause problems. Treat the camera cables carefully to prevent cable problems, such as cable breakdown and loosened connections.
- Do not shoot intense light.  
If there is an intense light at a location on the screen such as a spot light, a blooming and smearing may occur.  
When intense light enters, vertical stripes may appear on the screen. This is not a malfunction. Ghosts may occur when there is an intense light near the object. In this case, change the shooting angle.
- Install the camera in a location free from noise.  
If the camera or the cables are located near power utility lines or a TV, etc. undesirable noise may appear on the screen. In such a case, try to change the location of the camera or the cable wiring.
- Moire  
When thin stripe patterns are shot, stripe patterns that are not actually there (moire) may appear as interference stripes. This is not a malfunction.
- Operating ambient temperature and humidity.  
Do not use the camera in places where temperature and humidity exceed the specifications. Picture quality will lower and internal parts may be damaged.  
Be particularly careful when using in places exposed to direct sunlight. When shooting in hot places, depending on the conditions of the object and the camera (for example when the gain is increased), noise in the form of vertical strips or white dots may occur. This is not a malfunction.
- Handling of the camera head and protection cap.  
Keep the camera head and the protection cap away from children. Children may put them into mouth or swallow them accidentally. The protection cap protects the image sensing plane when the lens is removed from the camera head, do not throw away.
- When cleaning the camera  
Always turn off the power and make a cleaning with a piece of dry cloth. If necessary, gently wipe with a cloth dampened with thinned detergent. Do not use benzine, alcohol, thinner, etc. If used, coating and printed letters may be discolored. When cleaning the lens, use a lens cleaning paper, etc.

#### COMPONENTS

- (1) Camera head (without lens) ..... 1
- (2) Accessories
- (a) Instruction manual ..... 1

#### CONNECTION



- When connecting the camera cables, be sure to turn off the camera control unit and the other equipment connected.
- We suggest to use a C mount lens for 3CCD camera.  
When using other lens, the best camera performance of this camera may not be obtained.  
(For example, low resolution may occur, focus may be lost through the range of a zoom lens, and flare, ghost or shading may occur)  
Furthermore, in order to avoid damaging the mounting portion of the camera head, use a lens which projection dimension from the mounting base is less than 0.157" (4mm).

#### SPECIFICATIONS

Image sensor	1/3inch IT-CCD
Effective pixels	Horizontal: 752 pixels, Vertical: 582 pixels
Horizontal resolution	750TV lines
Sensitivity	F11 standard (2000 lx,3000K)
Minimum illumination	4 lx (F2.2, Sensitivity + 20dB,3000K)
SN ratio	64dB standard
Lens mount	C mount(flange back:17.526mm in-air)
Ambient temperature	32 to 104° F (0°C to 40°C)
Ambient humidity	Less than 90%
Weight	Approx. 1.94 oz (55g)

- Design and specifications are subject to change without notice.

#### OPTIONAL PARTS

For further details, contact your camera dealer.

##### Camera control unit

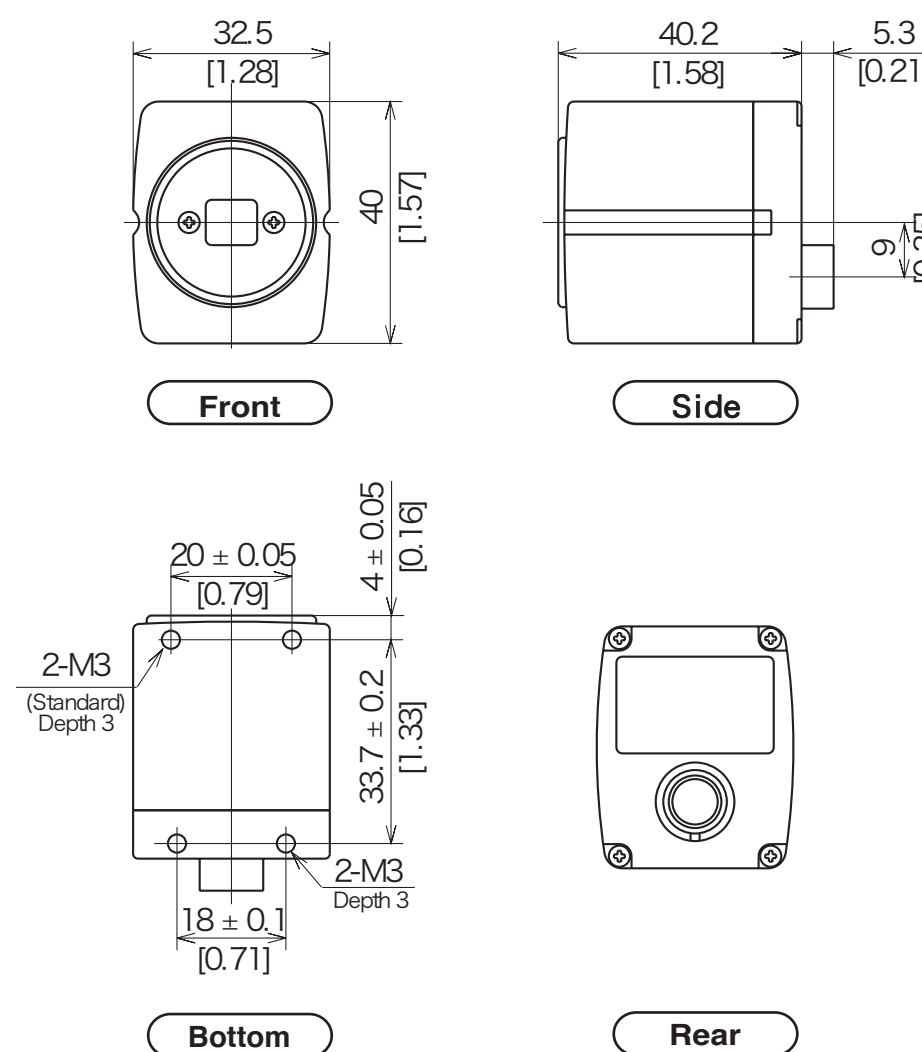
Type name
IK-TU61

##### Camera cable

Type name	Length m
EXC-T503	3
EXC-T506	6.5
EXC-T510	10
EXC-T530	30

#### EXTERIOR DIMENSIONS

Unit : mm [inch]  
ø : diameter



#### TOSHIBA CORPORATION

Camera Sales & Marketing Group  
Digital Media Network Company  
1-1, SHIBAURA 1-CHOME, MINATO-KU, TOKYO 105-8001, JAPAN  
TEL +81-(0)3-3457-8462

