

FUJINON TF15DA-8 LENS



POLECAM



**For FA/Machine Vision
3CCD Camera**

TF15DA-8

Applicable camera (model)

1	2/3	1/2	1/3	1/4

FIXED
Fixed Focal

TELE
Telephoto
Long Focal

3CCD
For 3CCD
Camera

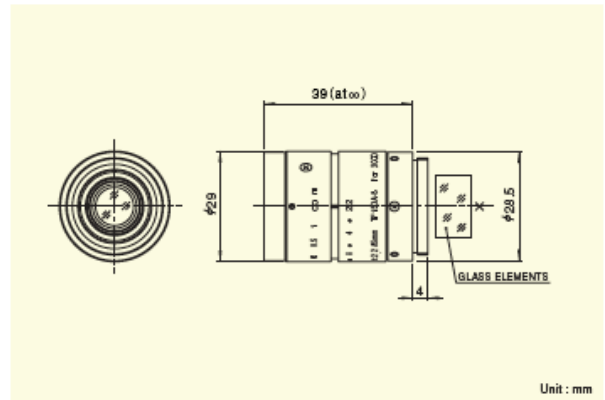
MANUAL
Manual Iris

C-mt
C Mount

METAL
Metal Mount



- Special design for optimizing the image quality of 3CCD cameras.
- Low-distortion design achieving accurate image input.
- Compact, lightweight and robust design, supporting various systems.
- Faithful color reproduction for 3CCD cameras, best suited for advanced monitoring applications.



Focal Length (mm)		15
Iris Range		F2.2 ~ F16 • Close
Operation	Focus	Manual
	Iris	Manual
Angle Of View (H×V)	1/3°	18°11' × 13°41'
Focusing Range (From Front Of The Lens) (m)		∞ ~ 0.1
Object Dimensions at M.O.D. (H×V) (mm)	1/3°	36 × 27
Back Focal Distance (in air) (mm)		16.32
Exit Pupil Position (From Image Plane) (mm)		-89
Filter Thread (mm)		M25.5 × 0.5
Mount		C
Mass (g)		60
Remarks	•With Metal Mount	

Polecam USA
7510 Sunset Blvd 1000
Los Angeles, CA 90046
USA

+1 (323) 633 7033

+1 (877) 633 7133

+1 (323) 395 0100

greg@polecamusa.com

www.polecamusa.com



SPECIFICATIONS

Focal lengths	2.8, 4.0, 8.0, 15.0 & 25.0mm
Aperture	F2.2 - 16
Image format	1/3" 3-CCD (4.8 x 3.6mm)
Optical summary	<p>SD, resolution from 180 lp/mm</p> <ul style="list-style-type: none"> • Very low chromatic shifting over the complete visual. <ul style="list-style-type: none"> • Spectrum (less than <3 m) • High MTF throughout iris range. • Low distortion even in the corners. • Apochromatic correction for complete spectrum.
Angles of view	69° Horizontal
Minimum Object Distance	0.1metre
Lens arrangement	10 lenses in 8 groups
Focus adjustment	Internal focus (no outside groups in movement, no astigmatism by moving)
Back focus	Lens has back focus adjustment (3 grub screws)
Locking	Thumbscrews on iris and focus
Mount	C-mount (17.526mm in air), Stainless Steel
Filter	Removeable bump strip to accept M40.5 filter mount
Weight	159 grammes
Dimensions	Length 50.0 mm, diameter 37 mm

TF2.8DA-8 TF2.8DA-8 TF8DA-8B TF15DA-8 TF25DA-8B

Focal Length	2.8mm	4.0mm	8.0mm	15mm	25mm
Iris Range	F2.2~F16.C	F2.2~F16.C	F2.2~F16.C	F2.2~F16.C	F2.2~F16.C
Iris/Focus Operation	Manual	Manual	Manual	Manual	Manual
Angle of View (HxV) x 8°14'	89°08' x 69°20'	1°56' x 48°27'	33°24' x 25°22'	18°11' x 13°41'	10°58'
Focussing Range (m)	0.1 ~	0.1 ~	0.1 ~	0.1 ~	0.2 ~
Filter Thread	-	M27 x 0.5	M25.5 x 0.5	M25.5 x 0.5	M25.5 x 0.5
Mount	C	C	C	C	C
Weight (g)	75	70	60	29 x 39	29 x 39
Size (mm) (Ø x l)	34 x 47.5	29 x 46.5	29 x 39	29 x 39	29 x 39

POLECAM

