

Fujinon TF15DA-8 Lens



**For FA/Machine Vision
3CCD Camera**

TF15DA-8

Applicable camera (model)

1	2/3	1/2	1/3	1/4

FIXED

Fixed Focal

TELE

Telephoto Long Focal

3CCD

For 3CCD Camera

MANUAL

Manual Iris

C-mt

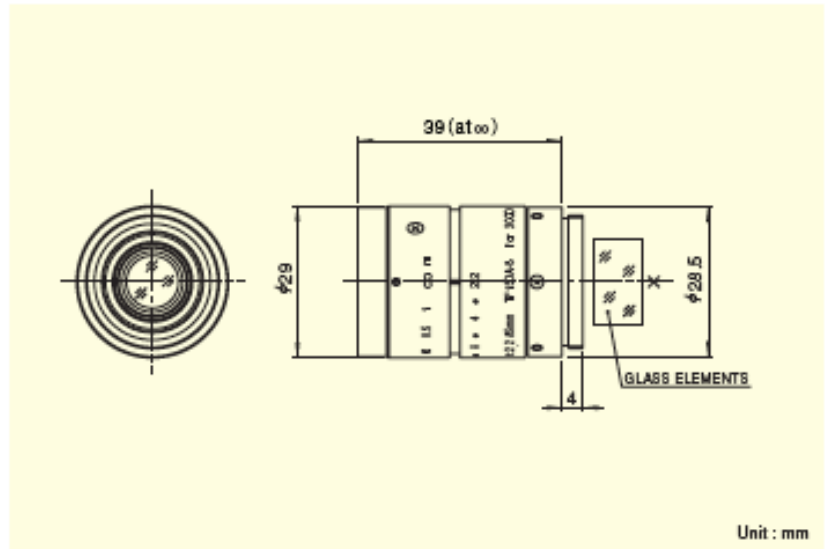
C Mount

METAL

Metal Mount



- Special design for optimizing the image quality of 3CCD cameras.
- Low-distortion design achieving accurate image input.
- Compact, lightweight and robust design, supporting various systems.
- Faithful color reproduction for 3CCD cameras, best suited for advanced monitoring applications.



Unit : mm

Focal Length (mm)		15
Iris Range		F2.2 ~ F16 · Close
Operation	Focus	Manual
	Iris	Manual
Angle Of View (H×V)	1/3°	18°11' × 13°41'
Focusing Range (From Front Of The Lens) (m)		∞ ~ 0.1
Object Dimensions at M.O.D. (H×V) (mm)	1/3"	36 × 27
Back Focal Distance (in air) (mm)		16.32
Exit Pupil Position (From Image Plane) (mm)		-89
Filter Thread (mm)		M25.5 × 0.5
Mount		C
Mass (g)		60
Remarks	·With Metal Mount	