

HD-RH1F

World's Smallest HD Video Camera



The revolutionary HD-RH1F is extremely powerful with twin Fiber Optic outputs, and genlock capability to SDI or fiber-SDI signals.

Applications include:
Broadcast Trucks
Sports
Nature Programming
Digital Cinema
Episodic Television

Features Include:

- > Fiber I/O
- > Use of industry-standard SFP fiber modules
- > Dual and single-link capability
- > Genlock from fiber, SDI, or analog
- > Simultaneous fiber genlock and transmission (with transceiver SFP module)



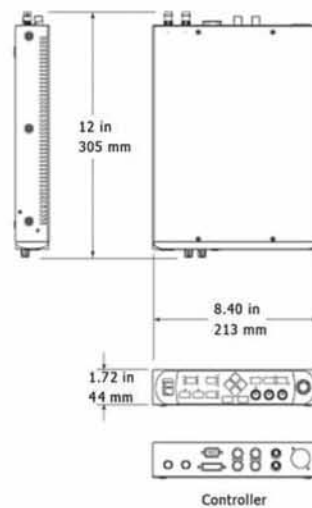
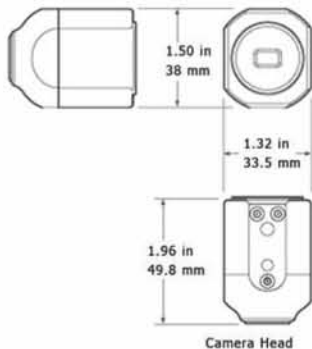
ICONIX

Bigger on the inside.

HD-RH1F

Specifications

Image Sensor	1/3-inch Progressive Square Pixel CCD
Optical System	1/3-inch 3-CCD Prism System
Limiting Resolution	700 TV Lines per picture height (720p) 900 TV Lines per picture height (1080i/p)
Lens Mount	C-Mount
Scanning System	1080p: 60, 59.94, 50, 30, 29.97, 25, 24, 23.98 1080sF: 30, 29.97, 25, 24, 23.98 1080i: 60, 59.94, 50 720p: 60, 59.94, 50, 30, 29.97, 25, 24, 23.98 576i: 50 480i: 59.94
Sensitivity	F/8 @ 2000 lux
Signal/Noise Ratio	52dB typical, Y Channel
Quantization	14-Bit
Gamma	Fully Parameterized
White Balance	Automatic (AWB), User-adjustable
Black Balance	Automatic (ABB), User-adjustable
Gain	0 dB to 15 dB
Electronic Shutter	Fixed, Variable (ELC), Automatic, C-SCAN
Scene File	3 Profiles
Output Signals	HD-SDI/SD-SDI (SMPTE-292/SMPTE-259) BNC x2, Fiber Optic x2: Two Single-Link 4:2:2 Dual Link 4:4:4: RGB Dual Link 4:4:4 YCbCr Dual Link 4:2:2 YCbCr for 1080p: 60, 59.94, 50 Analog Video BNCx3: 1Vpp, 75Ohm, RGB/YPbPr Sync on Y/G or YPbPr/RGB DVI-I RGB, YCbCr
Input Signals	Genlock Input: HD-SDI & SD-SDI: BNC x1 (SMPTE 292M, SMPTE 259M) Fiber Optic: HD or SD with SFP Rx or Tx/Rx module Analog: Tri-Level (HD) or Bi-Level Sync (SD) Remote-Control: RS-232, EIA/RS-485
Power Requirements	12VDC, 30W
Weight	Head: 2.3 Oz (64g) CCU: 4.4lbs (2.0kg)
Dimensions	Head: 1.32"W x 1.50"H x 1.96"D (33.5x38x49.8mm) CCU: 8.35"W x 1.72"H x 12"D (212x44x305mm)
Tripod Mount	Optional Adapter with 1/4-20 and 3/8-16 Thread
Fiber Optic Receptacle	Accepts Industry-Standard SFP modules: Tx, Rx, Tx/Rx



Features and Specifications subject to change without notice.

Made in the U.S.A.

HD-RH1F CCU Front & Rear Views

