

# ICONIX

The World's Smallest HD Video Camera

## HD-RH1

### 1/3" Progressive 3CCD HDTV Camera

A revolutionary High Definition remote head point of view camera system providing a high-performance, multi-format solution in a small package.

#### Multi-Format

- 1080sF @ 23.98, 24, 25, 29.97, 30
- 1080p @ 24, 25, 30, 50, and 60 Hz
- 1080i @ 50 & 60 Hz
- 720p @ 24, 25, 30, 50, and 60 Hz

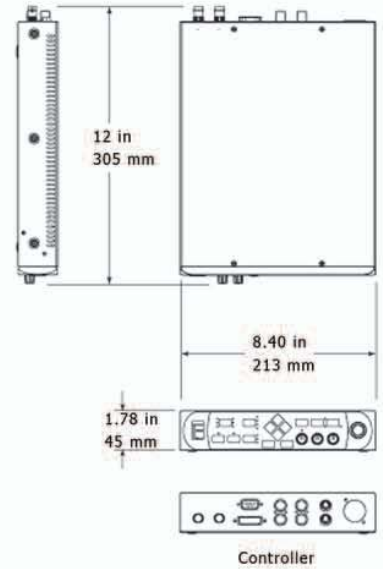
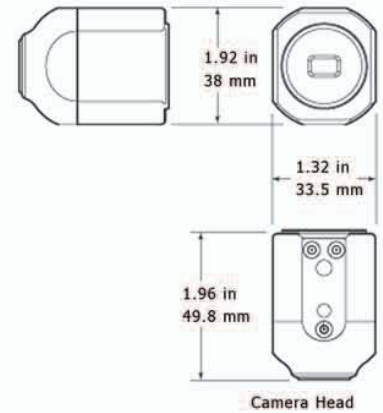
- 
- SDI, DVI-D, and Analog Outputs
  - 14-Bit Quantization
  - Electronic Shutter and Enhancement
  - Programmable Gamma Function
  - Genlock and Remote Control



# HD-RH1

# Specifications

|                     |   |
|---------------------|---|
| Image Sensor        | 1/3-inch Progressive Square Pixel CCD   |
| Optical System      | 1/3-inch 3-CCD Prism System   |
| Limiting Resolution | 700 TV Lines (720p)<br>900 TV Lines (1080i/p)   |
| Lens Mount          | C-Mount   |
| Scanning System     | 1080p: 60, 59.94, 50, 30, 29.97, 25, 24 23.98<br>1080sF: 30, 29.97, 25, 24 23.98<br>1080i: 60, 59.94, 50<br>720p: 60, 59.94, 50, 30, 29.97, 25, 24 23.98<br>30n60, 29.97n59.94, 25n50, 24n60, 23.98n59.94<br>576: 50<br>480: 59.94                          |
| Sensitivity         | F/8 @ 2000  |
| Signal/Noise Ratio  | 52dB typical, Y Channel   |
| Quantization        | 14-Bit  |
| Gamma               | On/Off  |
| White Balance       | Automatic (AWB) or Manual   |
| Black Balance       | Automatic   |
| Gain                | 0 dB to 15 dB, Manual or Fixed  |
| Electronic Shutter  | Fixed, Variable   |
| Scene File          | 3 User-Programmable Profiles  |
| Sync System         | Internal or Genlock to analog sync  |
| Output Signals      | BNCx3, 1Vpp, 75Ohm, RGB/YPbPr<br>Sync on Y/G or YpBPr/RGB<br>HD-SDI/SD-SDI (SMPTE-292/SMPTE-259)<br>BNCx2:<br>Two Single-Link 4:2:2<br>Dual Link 4:4:4: RGB<br>Dual Link 4:4:4 YCbCr<br>Dual Link 4:2:2 YCbCr for 1080p: 60, 59.94, 50<br>DVI-I; RGB, YCbCr |
| Input Signals       | Genlock: BNCx1, Tri-Level or Bi-Level Sync<br>Remote-Controls: RS-232   |
| Power Requirements  | 12VDC, 30W  |
| Weight              | Head: 2.3 Oz (64g)  |
| Controller:         | 3.5lbs (1.2kg)  |
| Dimensions          | Head: 1.32"W x 1.50"H x 1.96"D (33.5x38x49.8mm)   |
| Controller:         | 9.4"W x 1.78"H x 12"D (213x45x305mm)  |
| Tripod Mount        | Optional Adapter with 1/4-20 and 3/8-16 Thread  |



## HD-RH1 Camera System: Camera Head, CCU, Power Supply



Features and Specifications subject to change without notice